

COONLESS™



555LB Deer And Livestock Feeder

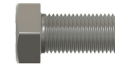
INSTALL INSTRUCTIONS: www.CoonlessFeeders.com/555install

STEP 1

Assemble the base mount brackets with the provided hardware.

1/2-20 BOLT

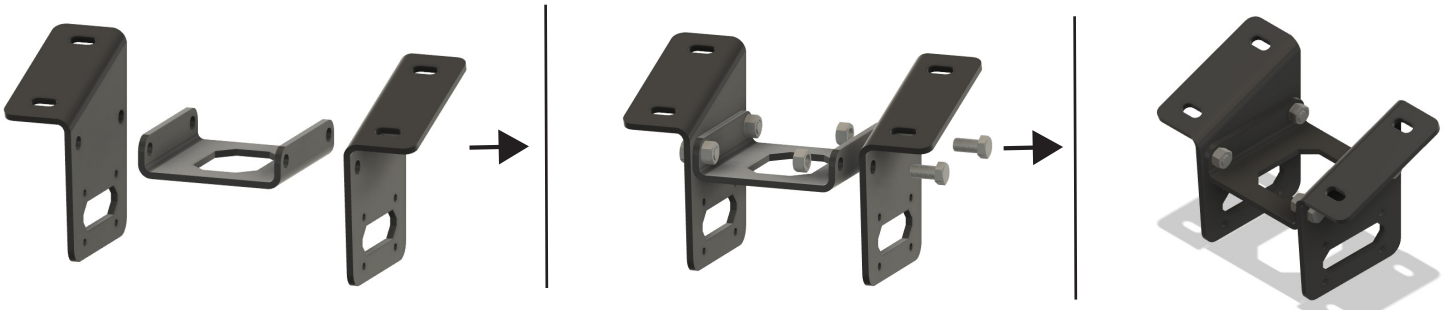
1/2-20 NUT



x 4



x 4



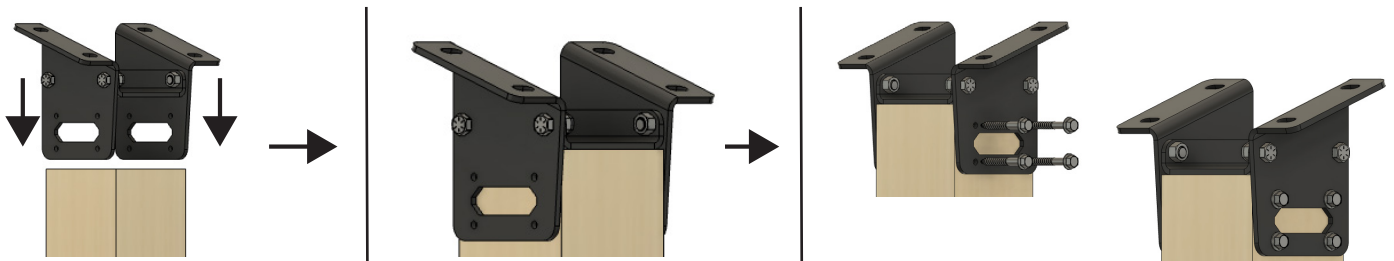
STEP 2

Attach the assembled base mount to your 6x6 post with the provided screws.

3" TIMBER HEX SREW



x 8



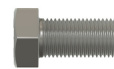
STEP 3

Attach the Support Bracket and then the Bottom Panel to the Base Mount.

1/2-20 BOLT

1/2-20 NUT

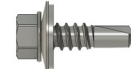
SELF DRILLING SCREWS



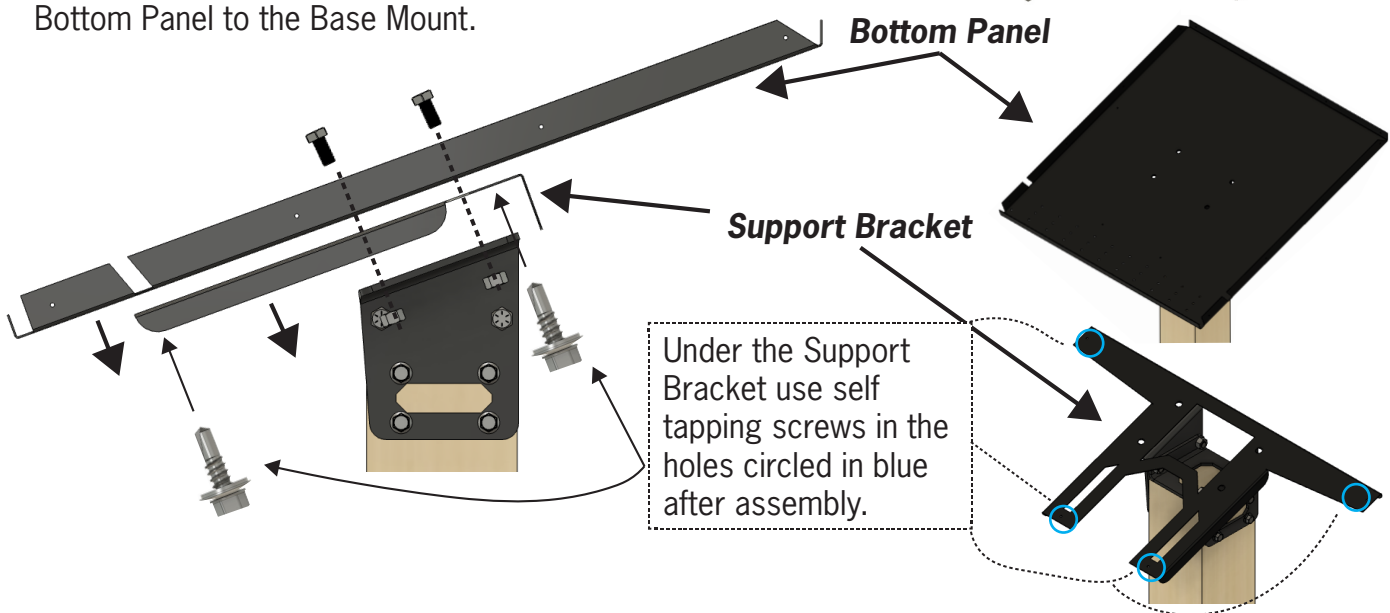
x 4



x 4



x 4



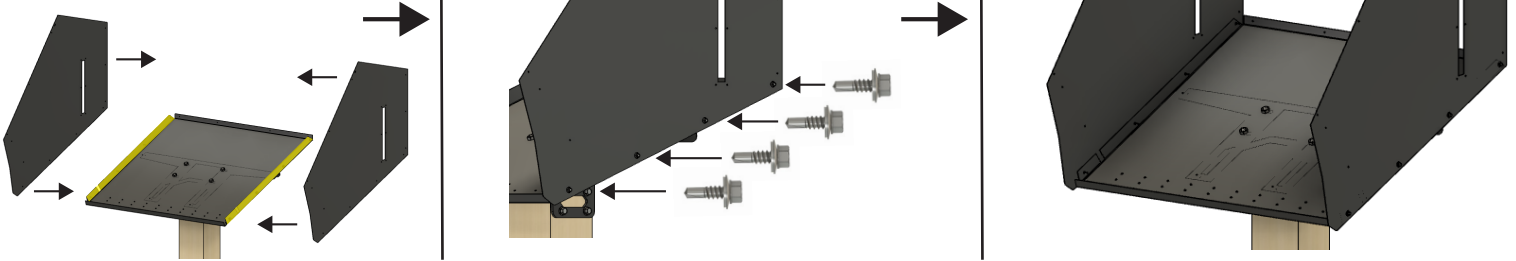
STEP 4

Attach both Side Panels to the outside of the Bottom Panel with self drilling screws.

SELF DRILLING SCREWS



Before attaching Side Panels, **apply silicone to the yellow section highlighted** on the Bottom Panel where it will make contact with the Side Panels.



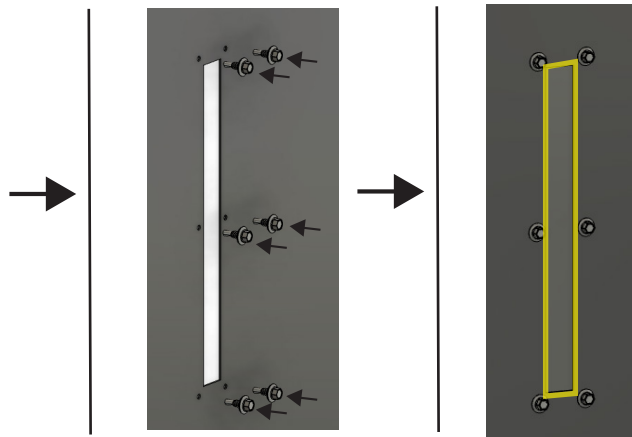
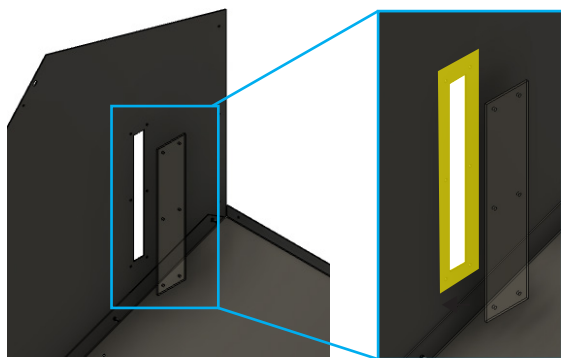
STEP 5

Attach the Sight Glasses to the inside of the Side Panels with self drilling screws.

SELF DRILLING SCREWS



Before attaching Sight Glass, **apply silicone to the yellow section highlighted** on the Side Panels.



After attaching Sight Glass, **apply silicone to the outside of the feeder on the yellow section highlighted.**

STEP 6

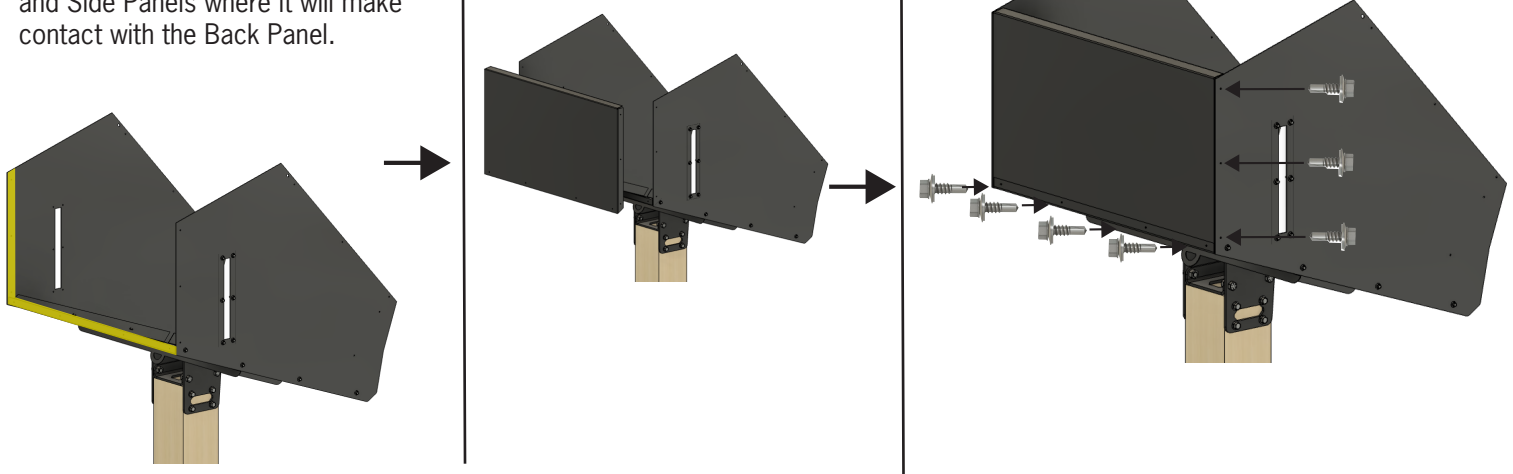
Attach the Back Panel to the Feeder.

SELF DRILLING SCREWS



Before attaching Back Panel, **apply silicone to the yellow section highlighted** on the Bottom Panel and Side Panels where it will make contact with the Back Panel.

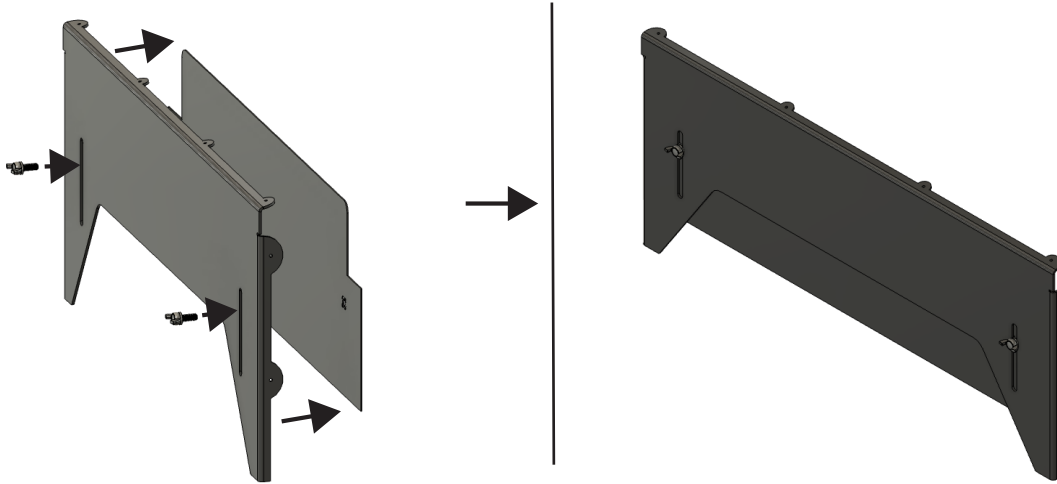
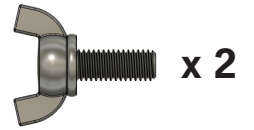
Note: The bent tabs on the Back Panel go on the **inside** of the feeder.



STEP 7

Assemble the Feed Shut Off Plate and the Front Panel with Wing Bolts.

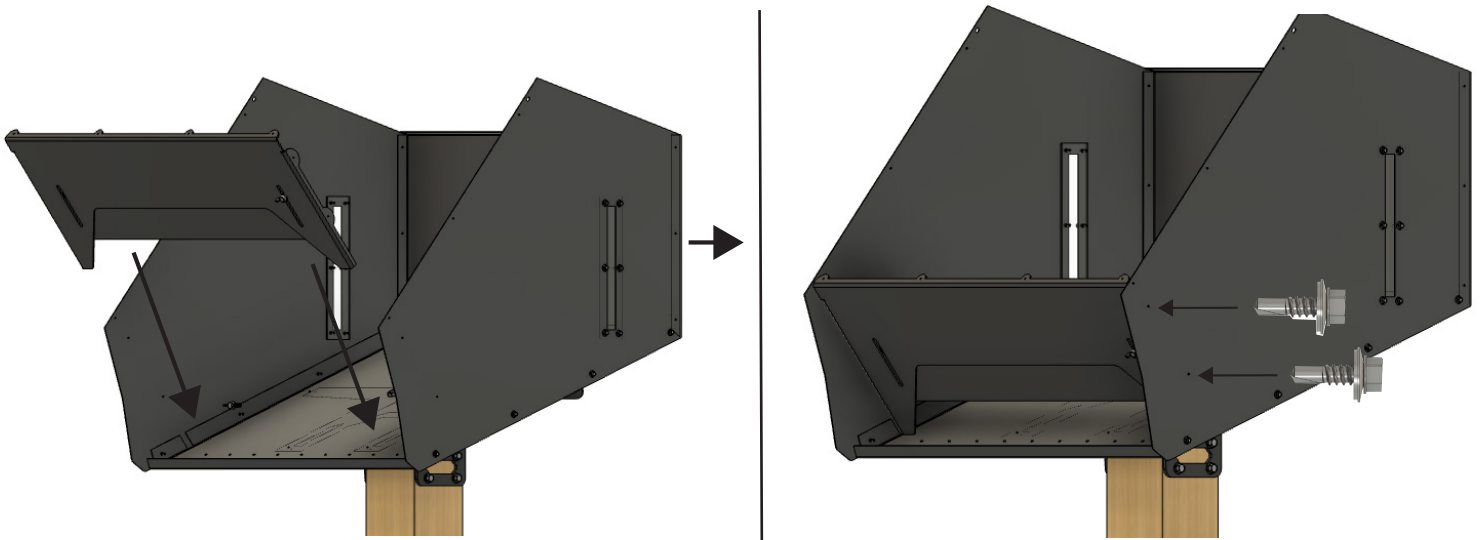
Wing Bolt



STEP 8

Attach the Front Panel to the feeder body.

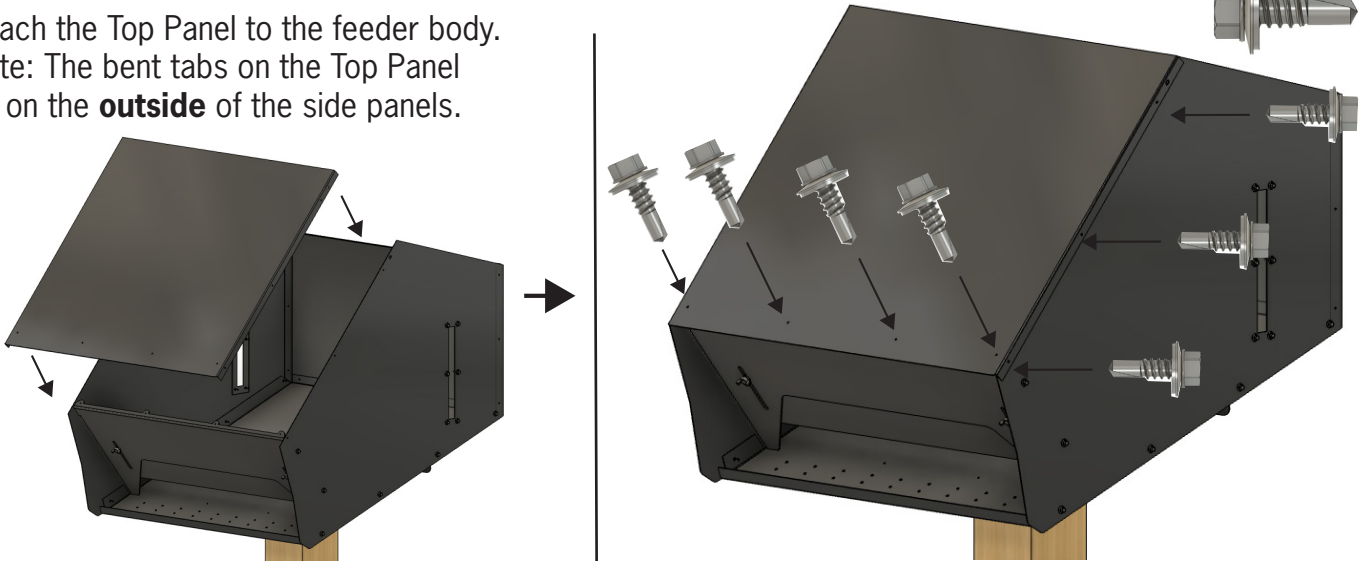
SELF DRILLING SCREWS



STEP 9

Attach the Top Panel to the feeder body.
Note: The bent tabs on the Top Panel go on the **outside** of the side panels.

SELF DRILLING SCREWS



STEP 10

Attach the Lid to the Feeder Body.

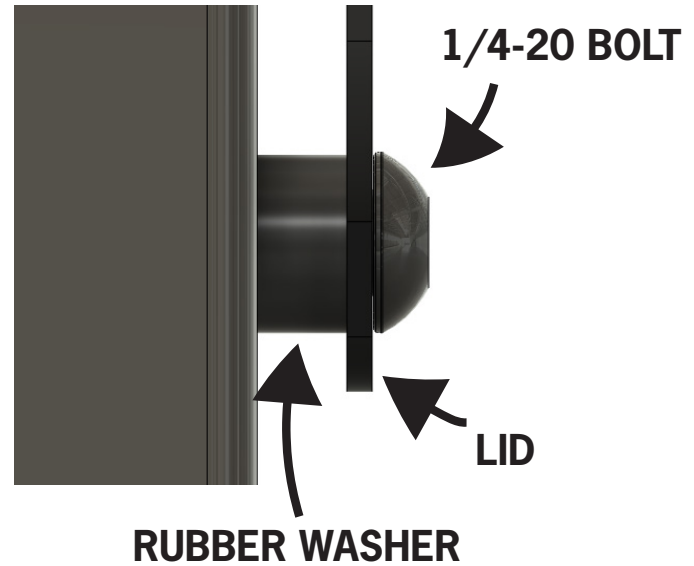
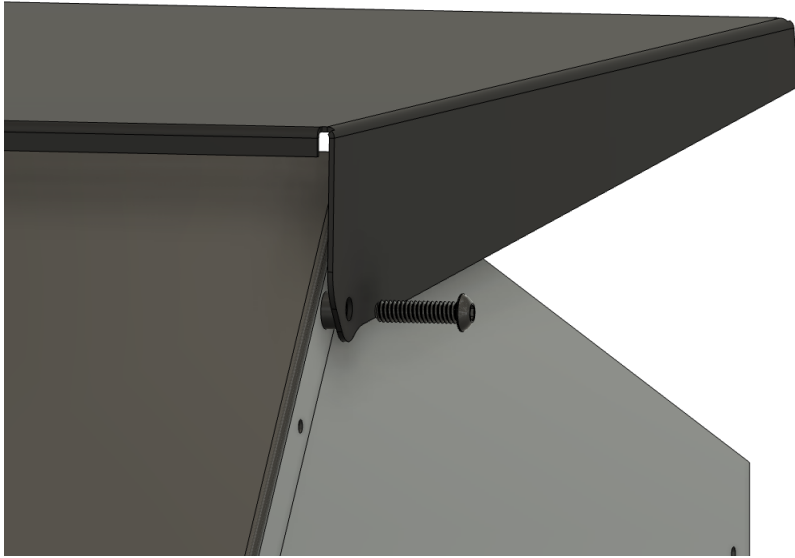
1/4-20 Bolt



1/4-20 Nut

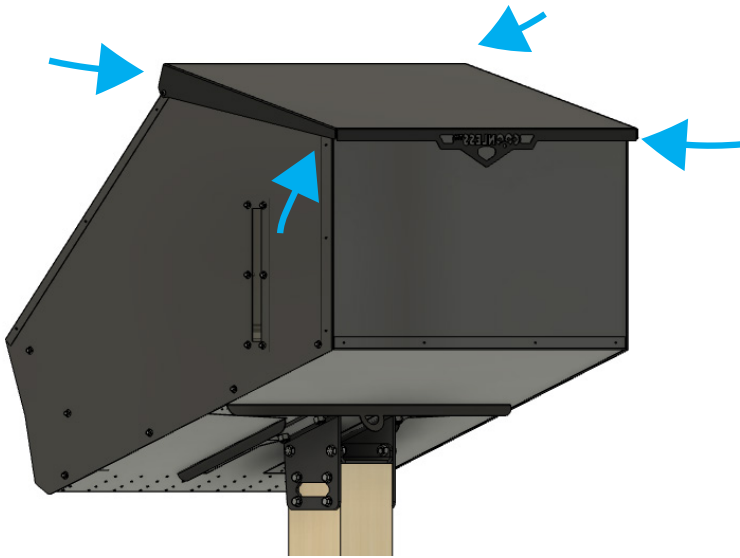


Rubber Washer



STEP 11

With the lid open apply silicone to the corners of the lid to prevent water intrusion.

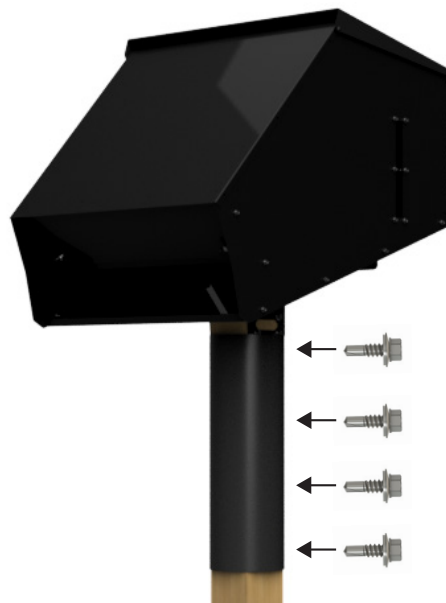


STEP 12

SELF DRILLING SCREWS



Attach the Raccoon Baffle to the 6x6 post.



COONLESS™

www.CoonlessFeeders.com/555install